

Product data sheet

Specifications



discrete output module, Modicon X80, 64 transistor outputs, 24V DC positive

BMXDDO6402K

Product availability : Stock - Normally stocked in distribution facility

Main

Range of Product	Modicon X80
Product or Component Type	Discrete output module
Discrete output number	64 EN/IEC 61131-2
Discrete output type	Solid state
Discrete output logic	Positive
Discrete output voltage	24 V 19...30 V DC
Discrete output current	0.1 A

Complementary

Current per channel	0.125 A
Maximum current per module	6.4 A
Insulation resistance	> 10 MOhm 500 V DC
Power dissipation in W	6.85 W
Response time on output	1.2 ms
Paralleling of outputs	Yes : 3 maximum
Typical current consumption	160 mA 3.3 V DC
MTBF reliability	150000 H
Protection type	External fuse reverse polarity protection short-circuit protection overload protection overvoltage protection
Output overload protection	With current limiter With electronic circuit breaker $0.125 A < I_d < 0.185 A$
Output overvoltage protection	With transil diode
Output short-circuit protection	With 2 A external fuse
Reverse polarity protection	Reverse mounted diode
Voltage detection threshold	< 14 V DC preactuator fault > 18 V DC preactuator at state 0
Maximum tungsten load	1.2 W
Switching frequency	0.5/LI ² Hz
Maximum overload time	15 ms
Load impedance ohmic	$\geq 220 \text{ Ohm}$

Status LED	1 LED (Green) +32 channels indicator 1 LED (Green) module operating (RUN) 1 LED per channel (Green) channel diagnostic 1 LED (Red) module error (ERR) 1 LED (Red) module I/O
-------------------	--

Net Weight	0.33 lb(US) (0.15 kg)
-------------------	-----------------------

Environment

IP Degree of Protection	IP20
--------------------------------	------

Directives	2014/35/EU - low voltage directive 2014/30/EU - electromagnetic compatibility
-------------------	--

Dielectric strength	1500 V AC 50/60 Hz 1 minute, output/ground 1500 V AC 50/60 Hz 1 minute, output/internal logic 500 V DC 1 minute, between group of channels
----------------------------	--

Vibration resistance	3 gn
-----------------------------	------

Shock resistance	30 gn
-------------------------	-------

Ambient Air Temperature for Storage	-40...185 °F (-40...85 °C)
--	----------------------------

Ambient air temperature for operation	32...140 °F (0...60 °C)
--	-------------------------

Relative humidity	5...95 % 131 °F (55 °C) without condensation
--------------------------	--

Operating altitude	0...6561.68 ft (0...2000 m) 2000...5000 m with derating factor
---------------------------	---

Ordering and shipping details

Category	18160-MODICON M340
-----------------	--------------------

Discount Schedule	PC34
--------------------------	------

GTIN	3595863910490
-------------	---------------

Returnability	Yes
----------------------	-----

Country of origin	ID
--------------------------	----

Packing Units

Unit Type of Package 1	PCE
-------------------------------	-----

Number of Units in Package 1	1
-------------------------------------	---

Package 1 Height	2.15 in (5.45 cm)
-------------------------	-------------------

Package 1 Width	4.25 in (10.793 cm)
------------------------	---------------------

Package 1 Length	4.44 in (11.288 cm)
-------------------------	---------------------

Package 1 Weight	7.09 oz (201.0 g)
-------------------------	-------------------

Unit Type of Package 2	S02
-------------------------------	-----

Number of Units in Package 2	15
-------------------------------------	----

Package 2 Height	5.91 in (15 cm)
-------------------------	-----------------

Package 2 Width	11.81 in (30 cm)
------------------------	------------------

Package 2 Length	15.75 in (40 cm)
-------------------------	------------------

Package 2 Weight	7.72 lb(US) (3.5 kg)
-------------------------	----------------------

Unit Type of Package 3	P06
-------------------------------	-----

Number of Units in Package 3	240
-------------------------------------	-----

Package 3 Height	29.53 in (75.0 cm)
-------------------------	--------------------

Package 3 Width	23.62 in (60.0 cm)
------------------------	--------------------

Package 3 Length	31.50 in (80.0 cm)
-------------------------	--------------------

Package 3 Weight 147.71 lb(US) (67 kg)

Offer Sustainability

California proposition 65 WARNING: This product can expose you to chemicals including: Lead and lead compounds, which is known to the State of California to cause cancer and birth defects or other reproductive harm. For more information go to www.P65Warnings.ca.gov

REACH Regulation [REACH Declaration](#)

EU RoHS Directive Pro-active compliance (Product out of EU RoHS legal scope)
[EU RoHS Declaration](#)

Mercury free Yes

China RoHS Regulation [China RoHS declaration](#)

RoHS exemption information [Yes](#)

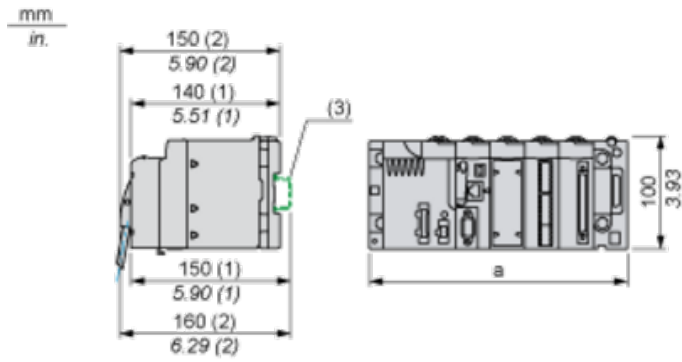
WEEE The product must be disposed on European Union markets following specific waste collection and never end up in rubbish bins.

Contractual warranty

Warranty 18 months

Modules Mounted on Racks

Dimensions



(1) With removable terminal block (cage, screw or spring).

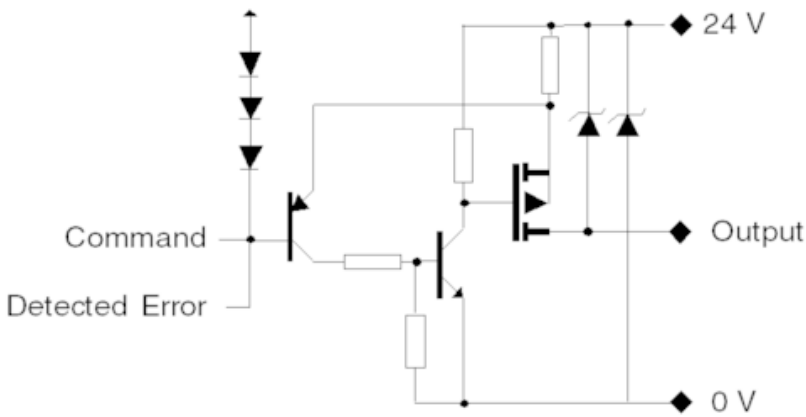
(2) With FCN connector.

(3) On AM1 ED rail: 35 mm wide, 15 mm deep. Only possible with BMXXBP0400/0400H/0600/0600H/0800/0800H rack.

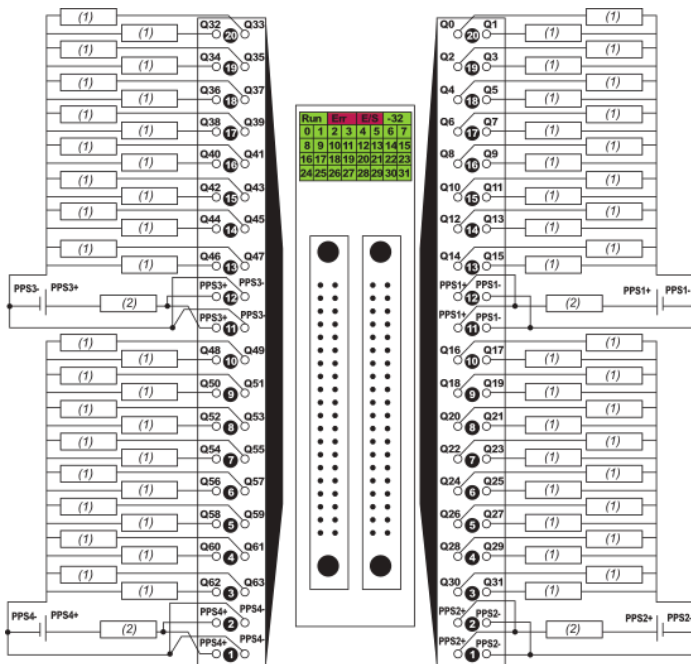
Rack references	a in mm	a in in.
BMXXBP0400 and BMXXBP0400H	242.4	09.54
BMXXBP0600 and BMXXBP0600H	307.6	12.11
BMXXBP0800 and BMXXBP0800H	372.8	14.68
BMXXBP1200 and BMXXBP1200H	503.2	19.81

Connecting the Module

Output Circuit Diagram



Module Connection



- (1) pre-actuator
 - (2) fuse: fast blow fuse of 2 A for each 16-channel group
- power supply 24 VDC
PPS pre-actuator power supply

Recommended replacement(s)